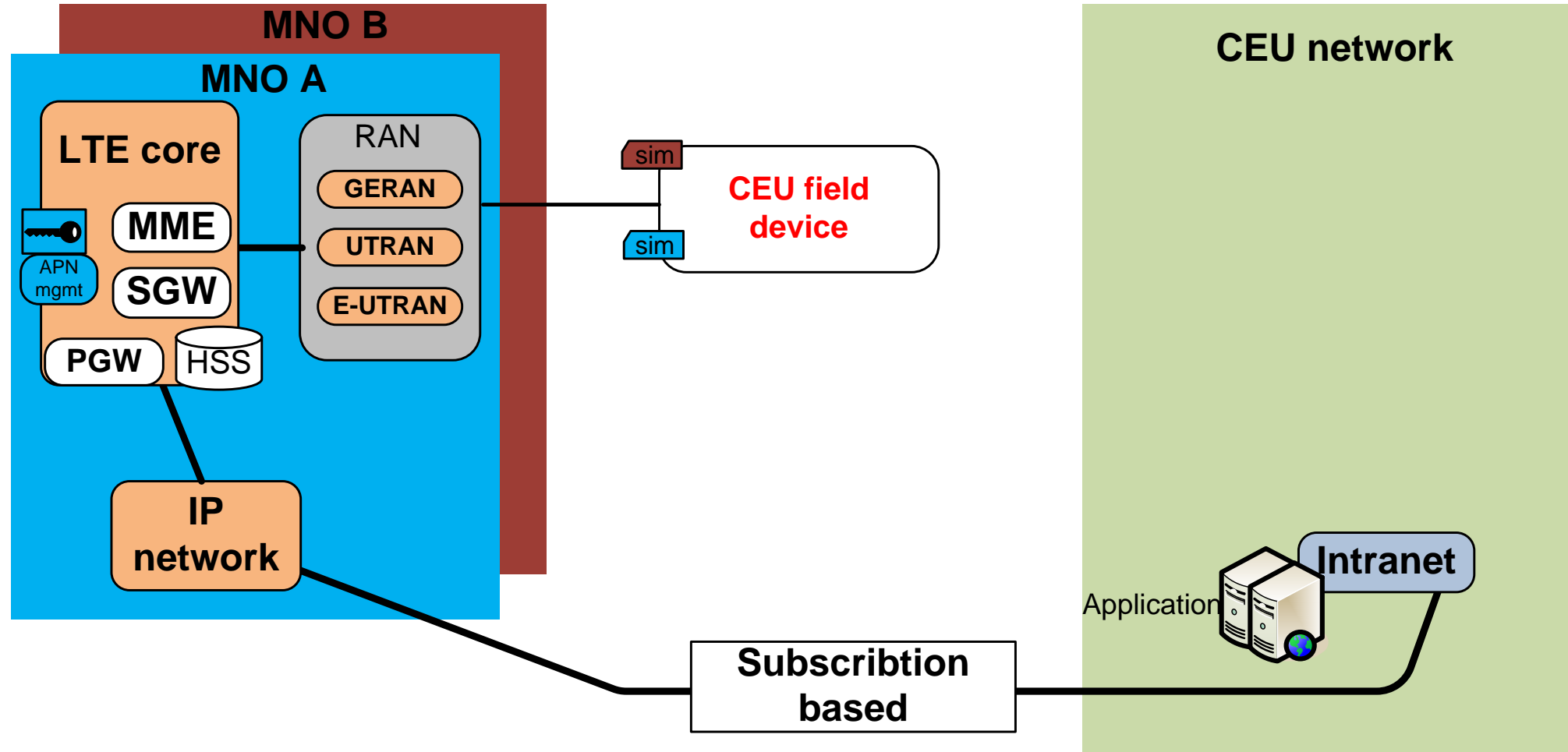


APPENDIX B

Actual (Subscription based over dedicated APN)



PVNO — (Full-MVNO with wholesale agreements)

